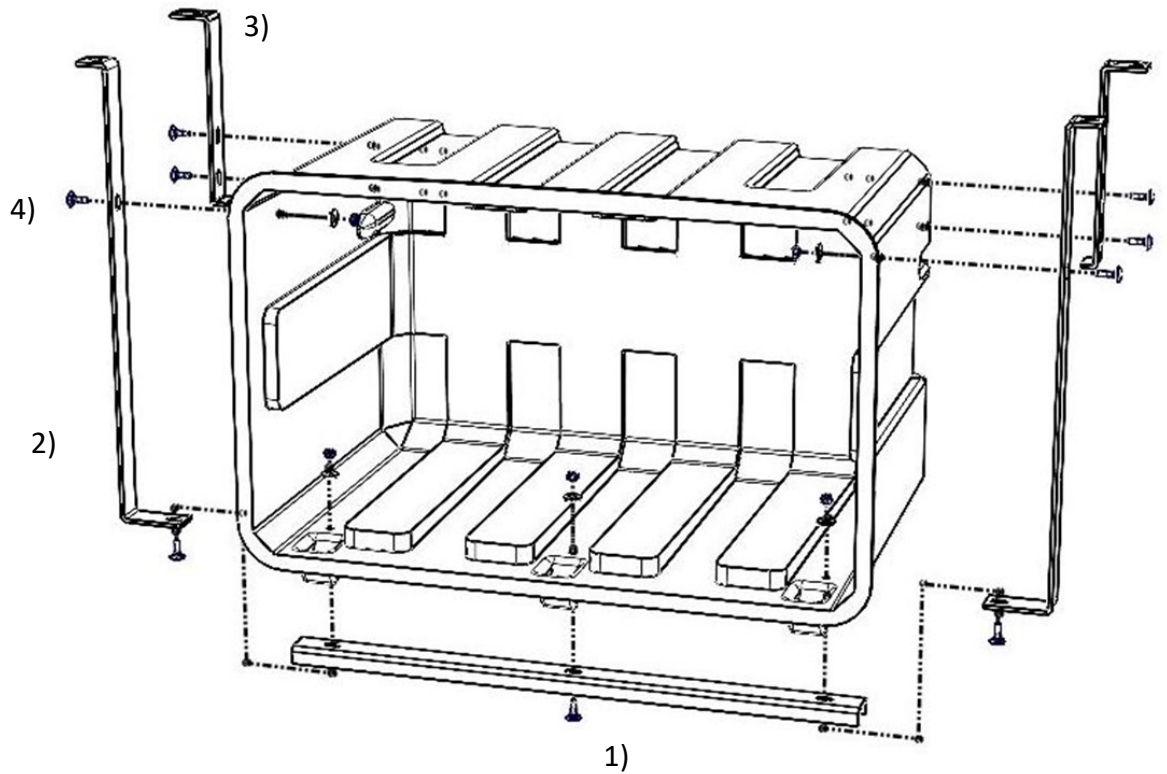


INSTALLATION INSTRUCTIONS

102863 Installation kit SL4 (vertical) for

100454 Toolbox 700x450x450

100449 Load restraint box 700x500x450



Pos.	Qty	Part
1	1 x	U-profile 625mm
2	2 x	Z-bracket 508mm
3	2 x	Z-bracket 218mm

4	9 x	 Square Neck Bolt M6x20
4	9 x	 Nut Nyloc M6
4	9 x	 Washer M6x18

